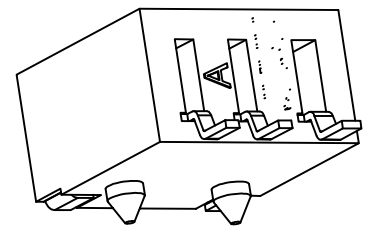
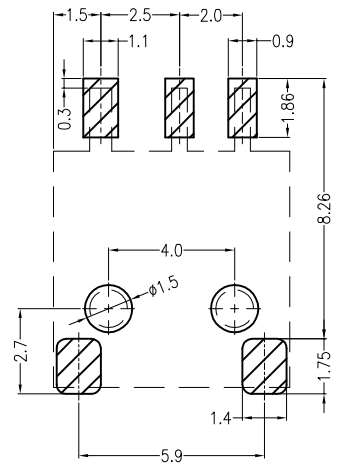
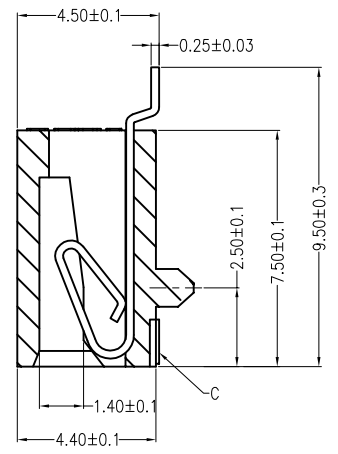
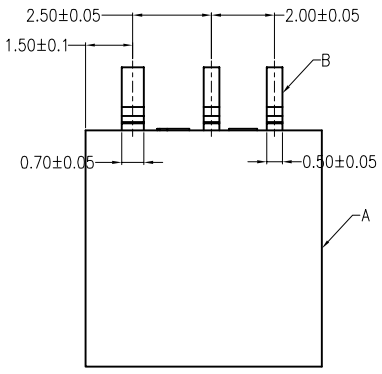


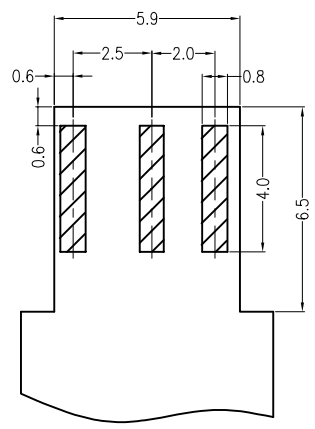
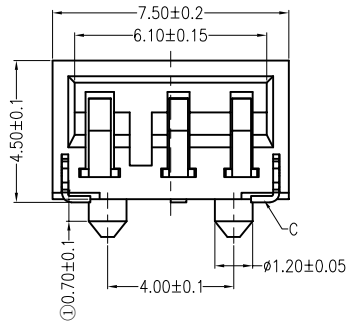
REV	DESCRIPTION	DESIGN	DATE
A0	Release	吴丹平	2016.04.30



Board Layout

主要技术参数 Main Specifications

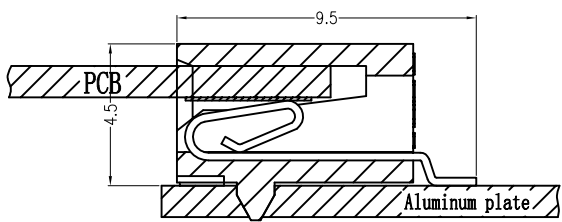
- 板厚 (thickness): 1.0mm
- 接触电阻 (Contact resistance): $\leq 20m\Omega$
- 绝缘电阻 (Insulation resistance): $\geq 800M\Omega$
- 额定电压 (Rated voltage): 250/150V AC DC
- 额定电流 (Rated current): 1.0A AC DC
- 耐电压 (Withstand Voltage): 1500V AC/minute
- 温度范围 (Temperature Range): $-25^{\circ}C \sim +105^{\circ}C$



ORDER INFORMATION:

L022-03-F2MB-R

PART No.		PACKAGING:
No. OF CIRCUITS:	03	R=REEL P=PE
PLASTIC MATERIAL:	F2M=LCP (BEIGE)	PLATING:
		B=MATTE Sn



Assembly Layout

Mating Aluminum plate detail

C	Solder Tab	2 PCS	PhosphorBronze	MATTE Sn-plated
B	CONTACT	3 PCS	PhosphorBronze	MATTE Sn-plated
A	PEDESTAL	1 PCS	LCP	UL 94V-0, COLOR:BEIGE
ITEM	COMPONENT	Q'TY	MATERIAL	FINISH

东莞市高迪电子有限公司
DONG GUAN GAO DI ELECTRONICS CO., LTD

TITLE: -
2.5 2.0mmPITCH 90°WAFER SMT TYPE

USE: CUSTOMER

APPD: 邵敬和

CHKD: 田峰

DR: 蒋建银

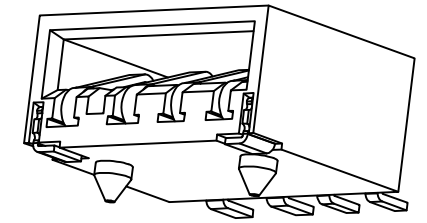
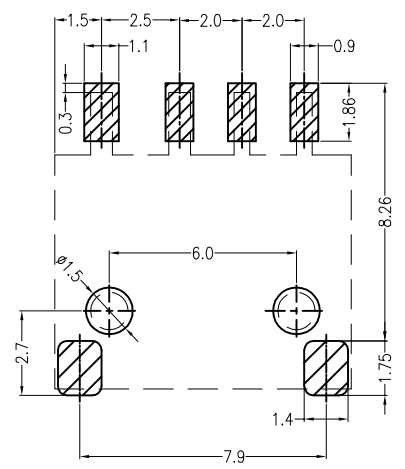
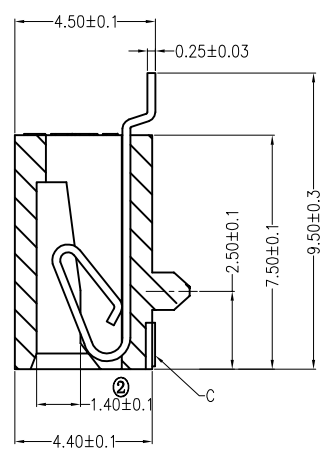
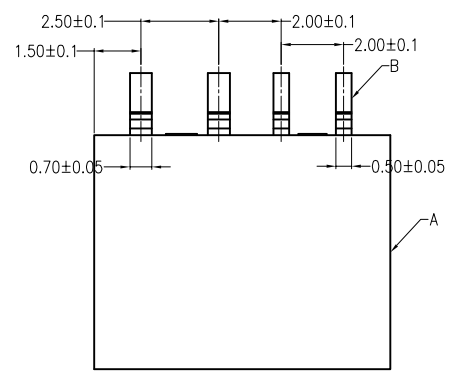
PART NO.: L022-03-F2MB-R

DWG NO.: GCCP-0041

SCALE: 1 : 1

SHEET: 1 / 1

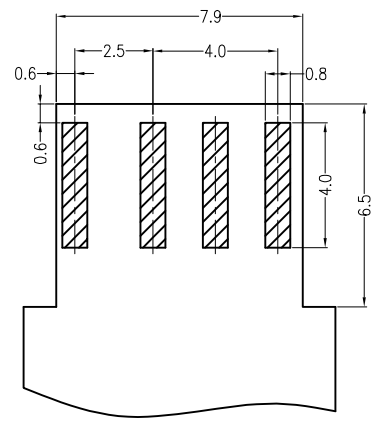
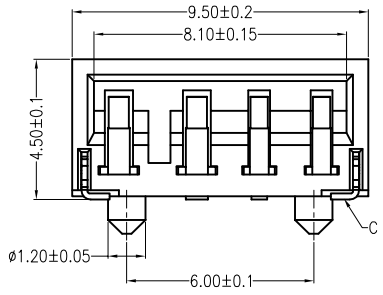
REV	DESCRIPTION	DESIGN	DATE
A0	Release	吴丹平	2016.04.30



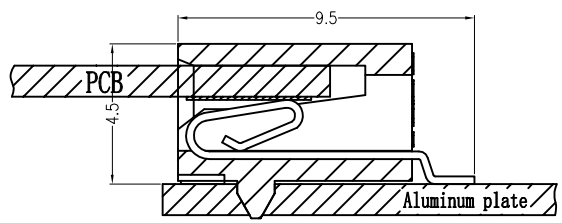
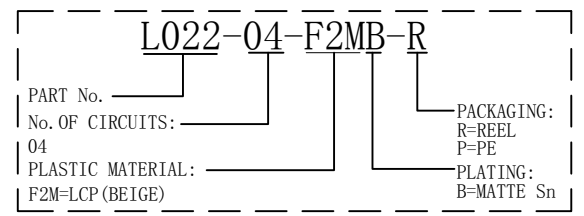
Board Layout

主要技术参数 Main Specifications

- 板厚 (thickness): 1.0mm
- 接触电阻 (Contact resistance): $\leq 20m\Omega$
- 绝缘电阻 (Insulation resistance): $\geq 800M\Omega$
- 额定电压 (Rated voltage): 250/150V AC DC
- 额定电流 (Rated current): 1.0A AC DC
- 耐电压 (Withstand Voltage): 1500V AC/minute
- 温度范围 (Temperature Range): $-25^{\circ}C \sim +105^{\circ}C$



ORDER INFORMATION:



Assembly Layout

Mating Aluminum plate detail

C	Solder Tab	2 PCS	PhosphorBronze	MATTE Sn-plated
B	CONTACT	4 PCS	PhosphorBronze	MATTE Sn-plated
A	PEDESTAL	1 PCS	LCP	UL 94V-0, COLOR:BEIGE
ITEM	COMPONENT	Q'TY	MATERIAL	FINISH

东莞市高迪电子有限公司
DONG GUAN GAO DI ELECTRONICS CO., LTD

TITLE: -
2.5/2.0mmPITCH 90°WAFER SMT TYPE

USE: CUSTOMER

APPD: 邵敬和

CHKD: 田峰

DR: 周秀龙

PART NO.: L022-04-F2MB-R

DWG NO.: GCCP-0080

SCALE: 1 : 1

SHEET: 1 / 1